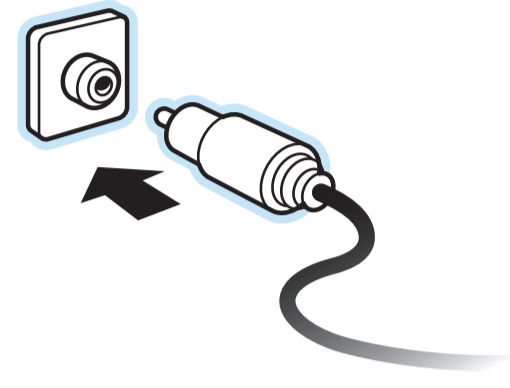


Connect

Connector



1 How to receive HDTV programming



This High-Definition TV (HDTV) gives you the best quality Digital TV. HDTV's picture and sound quality are many times better than today's analog TV's. High-Definition Televisions also display Standard Definition (SD) or Enhanced Definition (ED).

Call your local Cable or Satellite Provider to order **HDTV Programming**. The only way to get the full HD movie theater experience in your home. You'll have a variety of dedicated HD channels to choose from.

Prepare your TV for HDTV programming

You have two options to receive Digital HDTV.

1 Free Over-the-Air broadcast digital programming
This Integrated HDTV has the digital tuner built into the TV set. It does not need a separate set-top box to receive free Over-the-Air digital TV signals (ATSC).

2 Satellite digital programming
To receive digital TV signals via satellite, you need a separate satellite receiver and satellite dish. Refer to the Manual of the Satellite Receiver for set-up or call your satellite provider.

2 How to make the best connection

Use this guide to achieve the optimal connection for each of your components/ devices. These cables are not provided with this TV.

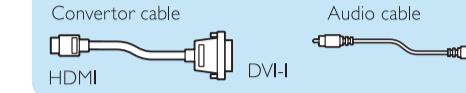
Best



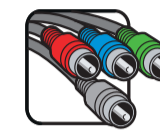
HDMI
HDMI provides an uncompressed, all-digital audio and video connection.

HDMI to DVI-I

Devices with only a DVI connection can be connected with a DVI to HDMI convertor cable(not supplied). Add for sound a Audio cable to your Audio input. Assign in the Source (Setup) menu the Analog Audio In to the HDMI input you are using.

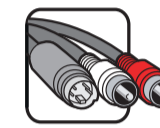


Better



Component Video Input
Superior picture quality by separating the green, blue and red luminance signals. Please use the analog red & white audio cables.

Good

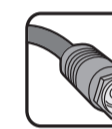


S-Video
Supplies a better picture than RF and Composite connections. Used with red & white audio cables. If available on your device you can use a Digital Audio connection for best quality sound.

Basic

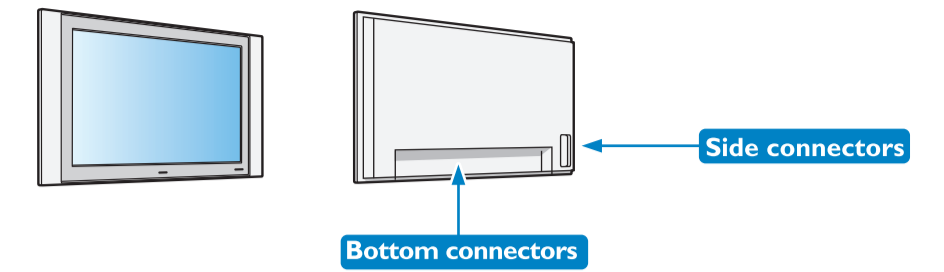


Composite Audio/Video
Separate video (yellow) and audio (red & white) cables that provide basic connection from the cable box and other devices.



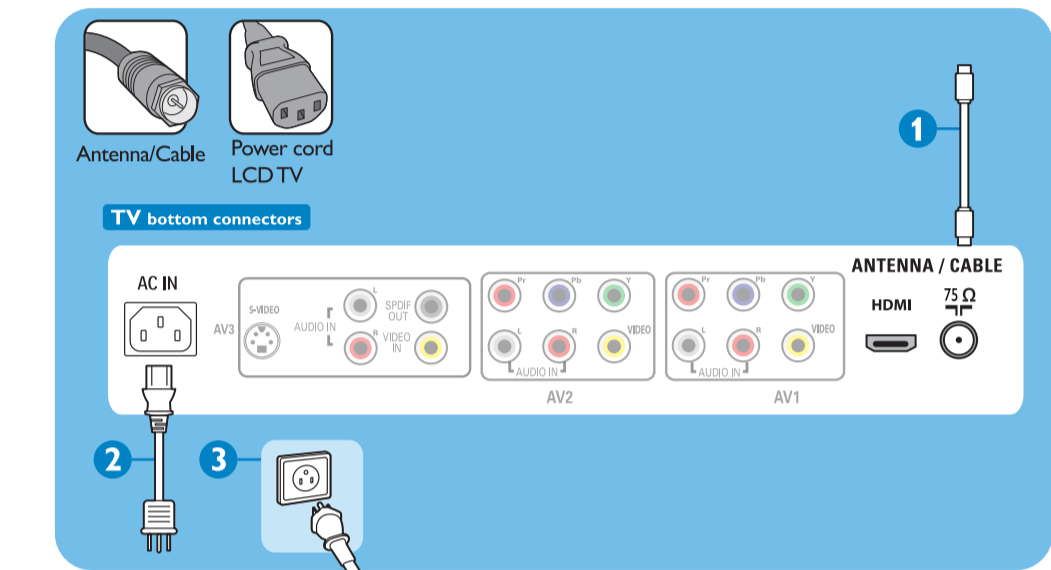
Antenna/Cable
Provides a basic connection for normal antenna or cable. Contains both video & audio.

3 Connections on your set



Connect antenna/ cable & power cord

- 1 Connect the antenna or cable signal in the antenna/ cable
- 2 Connect the power cord to your TV.
- 3 After connecting all cables or devices, plug in the power and switch on your TV.



Turn the page to connect your devices



Printed in China

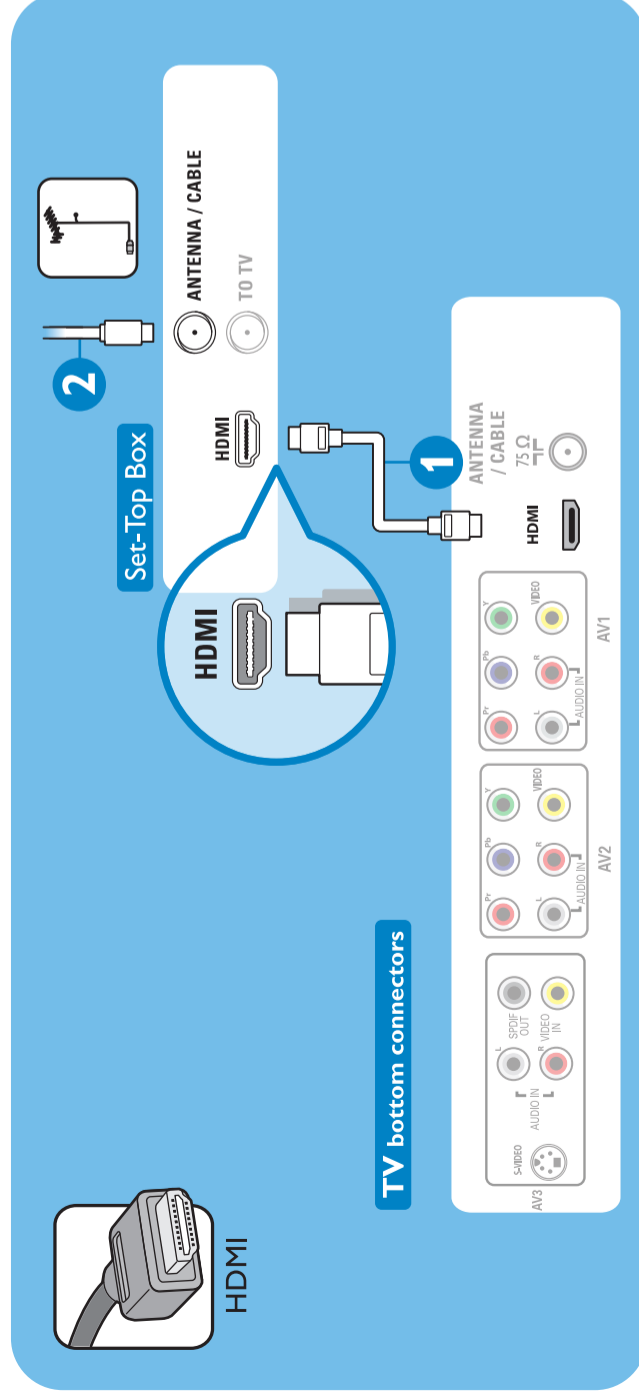
www.usasupport.magnavox.com

Specifications are subject to change without notice



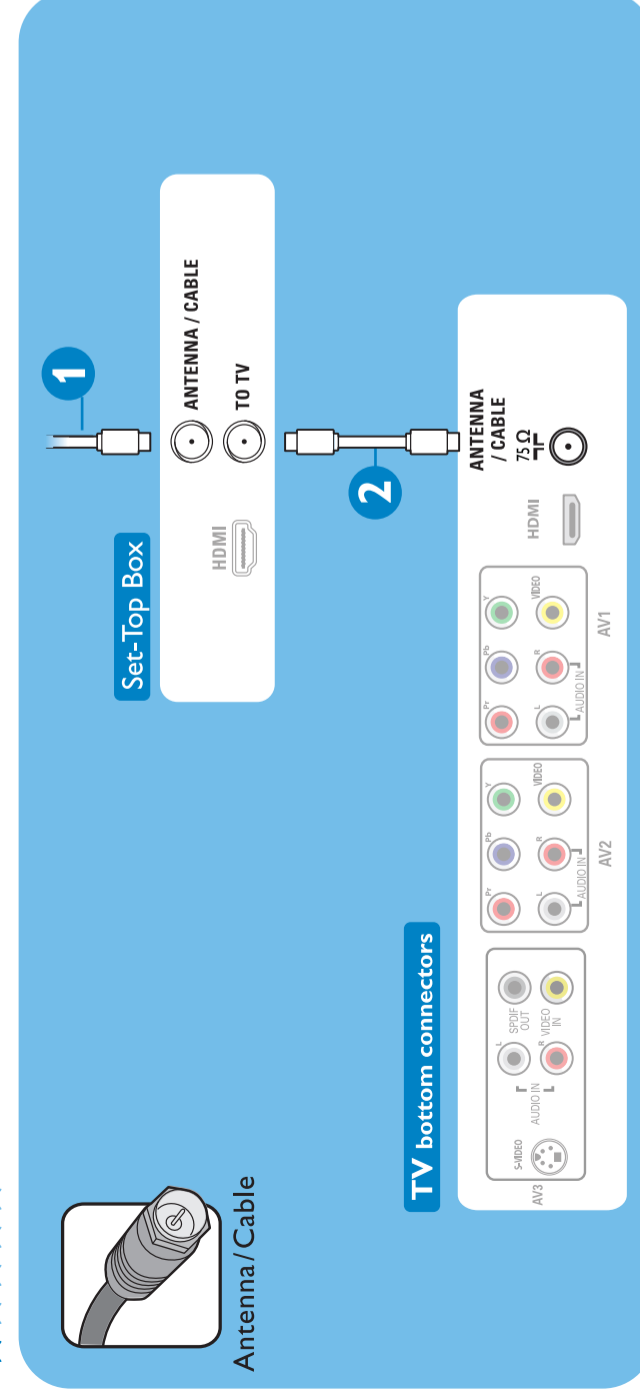
Cable or Satellite set top box

- 1 Connect the Set-Top Box to the TV using an HDMI connector cable.
- 2 Connect the antenna cable to the antenna input of the Set-Top Box.
- 3 After connecting all cables or devices switch on your TV. See user's manual p. 18.



OR

- 1 Connect the antenna cable to the antenna input of the Set-Top Box.
- 2 Connect a second antenna cable from the Set-Top Box to the TV.
- 3 After connecting all cables or devices switch on your TV.



Other possible connections



Component Video Input

See DVD Recorder



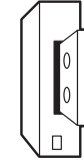
S-Video

See VCR



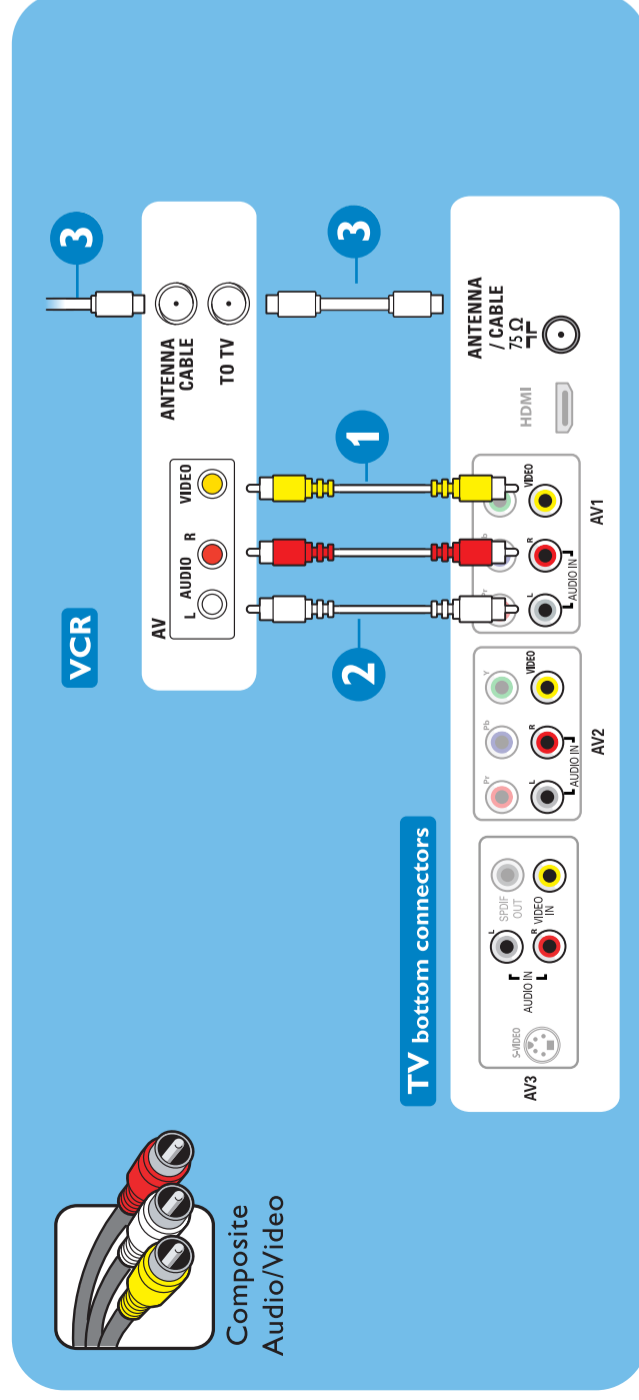
Composite Audio/Video

See VCR



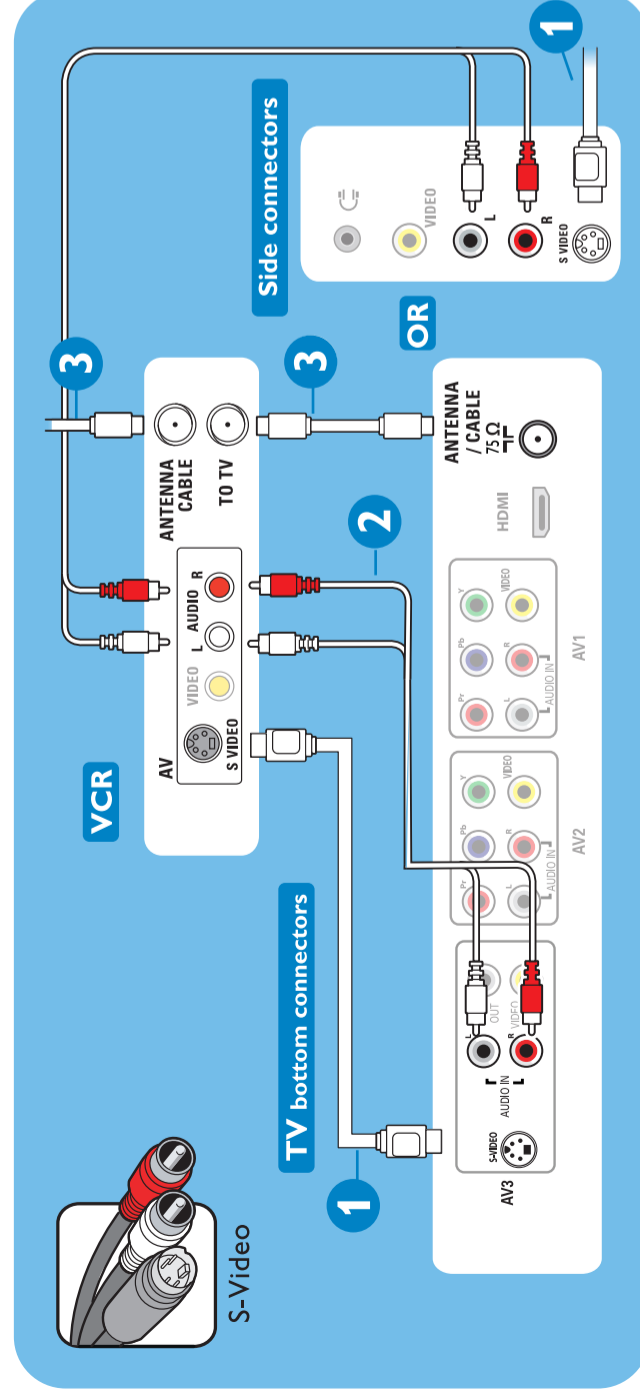
VCR

- 1 Connect the VCR with the Video cable (yellow) to the Video input of AV1, AV2 or AV3.
- 2 Connect the Audio L & R cables to the Audio L & R AV1, AV2, or AV3 input of your TV.
- 3 Connect the antenna/cable-signal cable to the VCR and connect an antenna cable from your VCR to the antenna input of your TV.



OR

- 1 Connect the VCR with the S-Video cable to the S-Video input of AV3 or Side AV.
- 2 Connect the Audio L & R cables to the Audio L & R AV3 or Side input of your TV.
- 3 Connect the antenna/cable-signal cable to the VCR and connect an antenna cable from your VCR to the antenna input of your TV.

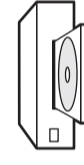


Other possible connections



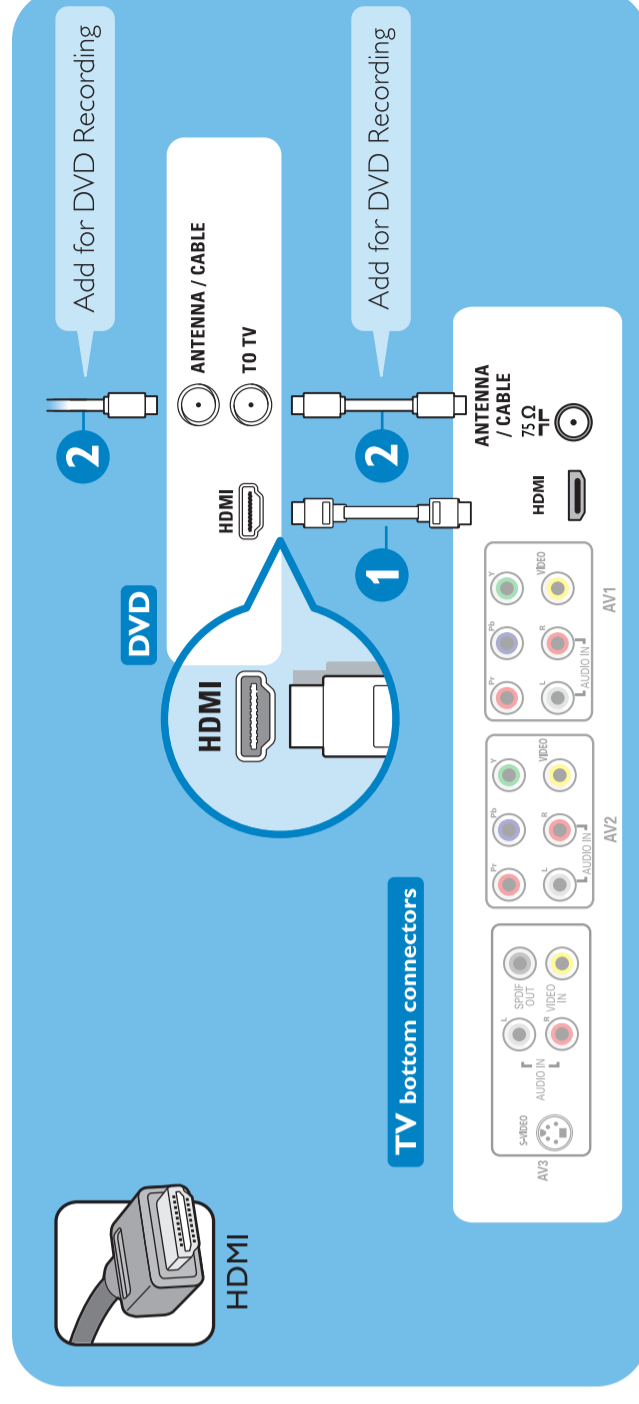
Antenna/Cable

See Cable or Satellite set top box



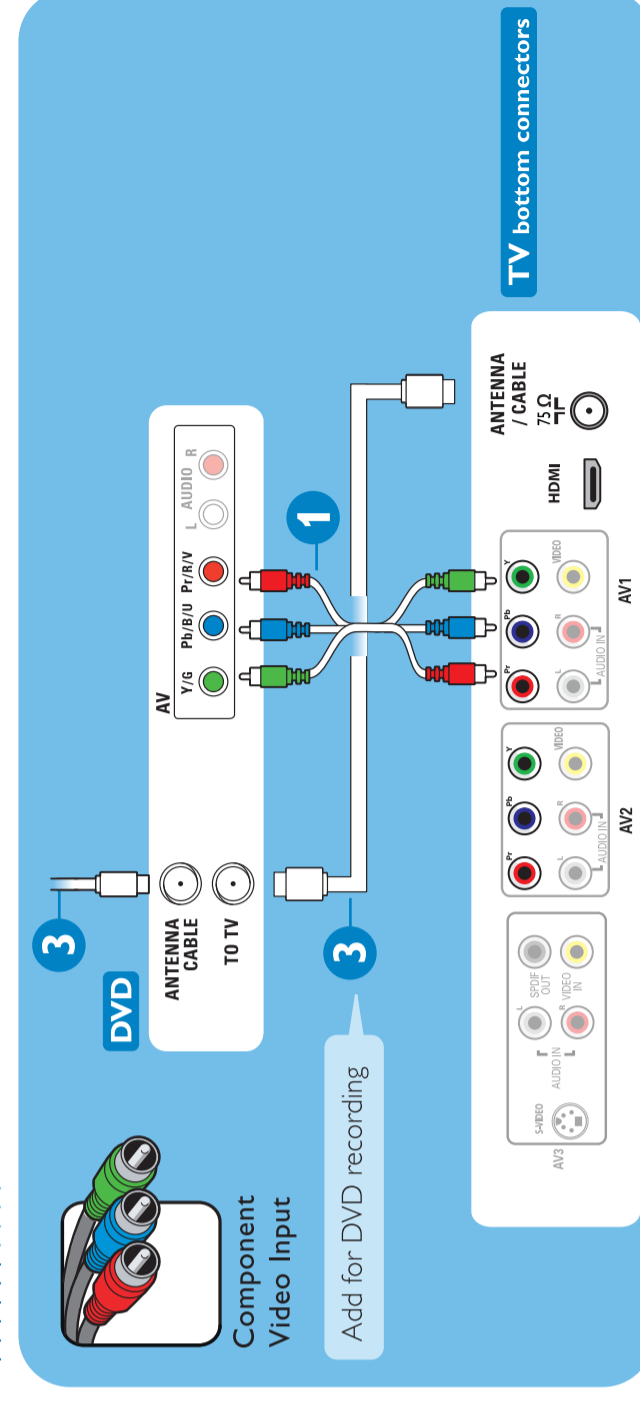
DVD Recorder/Player

- 1 Connect the DVD to the TV using an HDMI connector cable.
- 2 Connect the two antenna cables for recording on your DVD.
- 3 After connecting all cables or devices switch on your TV.



OR

- 1 Connect the Component Video plugs into their corresponding jacks.
- 2 For audio connect, alternatively connect red & white Audio cables.
- 3 Connect the two antenna cables for DVD Recording. After connecting all cables or devices switch on your TV.



Other possible connections



S-Video

See VCR



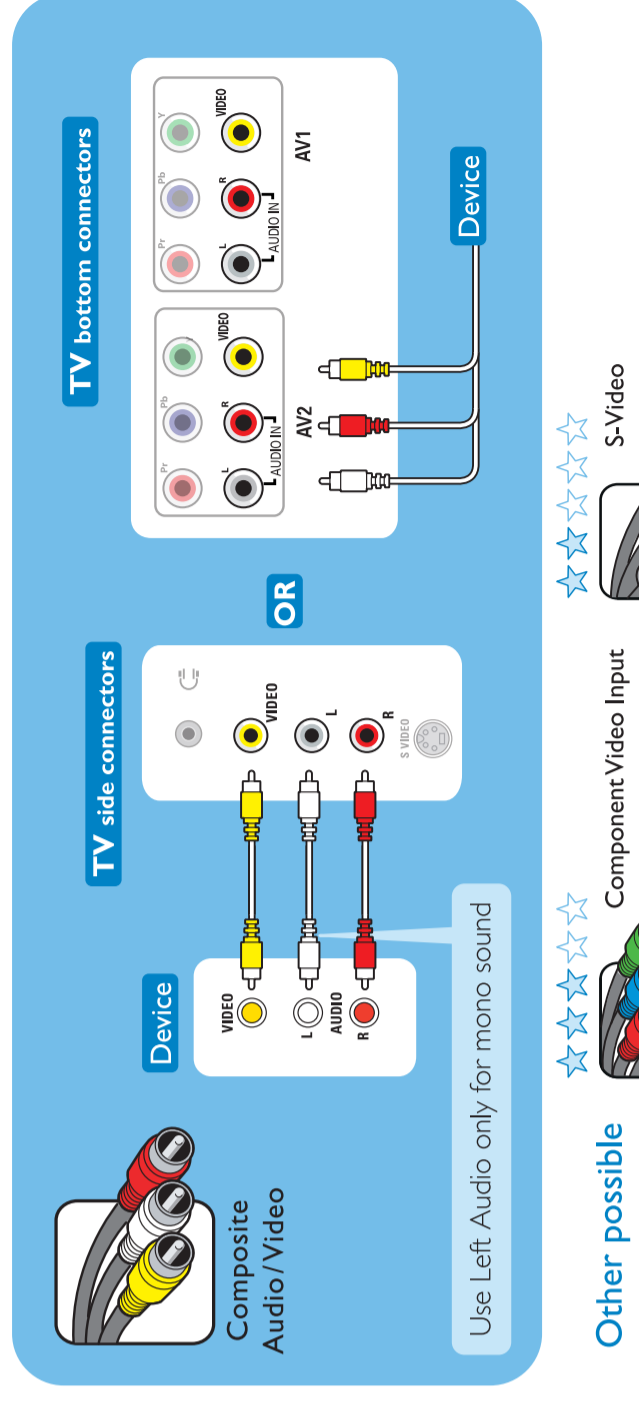
Composite Audio/Video

See VCR



Games/Camera

Connect the Video cable from the Video output on your camera or game console to the video input located on the side of your TV. Connect the Audio L & R cables for sound.



Weak channel installation

Antenna reception for broadcast channels may vary. If you are having difficulties acquiring weaker signals, we suggest you use Weak Signal Installation feature. Here's how:

1. In the antenna mode, select a channel from the displayed list of TV channels. Select the "Start" by red button on the remote control; TV set will detect the signal.
2. The signal strength is continuously displayed and updated as the antenna rotates. When strength is enough to identify, user can store the channel in the channel list by green button on the remote control.

For detail information please refer to user's manual.